


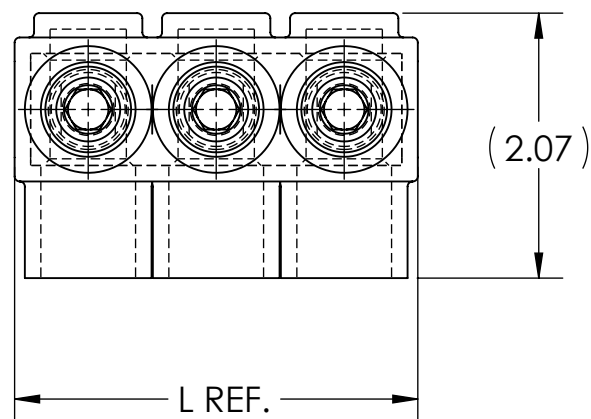
DWG. NO. **IPB-NA250-S** REV. **1**


- NOTES:
1. ALL DIMENSIONS IN INCHES UNLESS OTHERWISE SPECIFIED
  2. CONDUCTOR RANGE: 250 MCM - 10 SOL
  3. SUITABLE FOR USE IN PANEL BOARDS, CABLE TRAYS, RACEWAYS, DUCTS, AND TROUGHS
  4. INSULATION TEMPERATURE RATING: 135°C TO -40°C
  5. PRE-FILLED WITH OXIDE INHIBITOR
  6. SUPPLIED WITH REMOVABLE ACCESS PLUGS
  7. PRE-INSULATED WITH CLEAR HIGH DIELECTRIC STRENGTH PLASTISOL
  8. HEX SIZE: 5/16"
  9. INSTALLATION TORQUE: 275 IN•LB

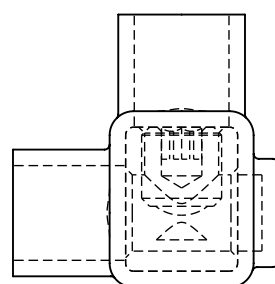
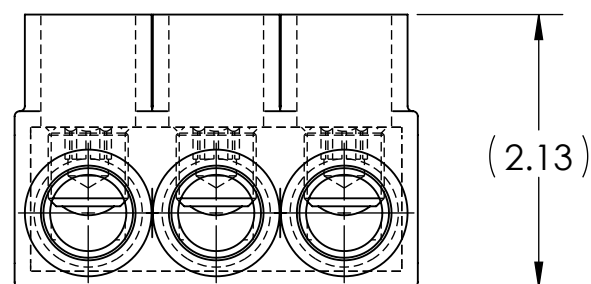
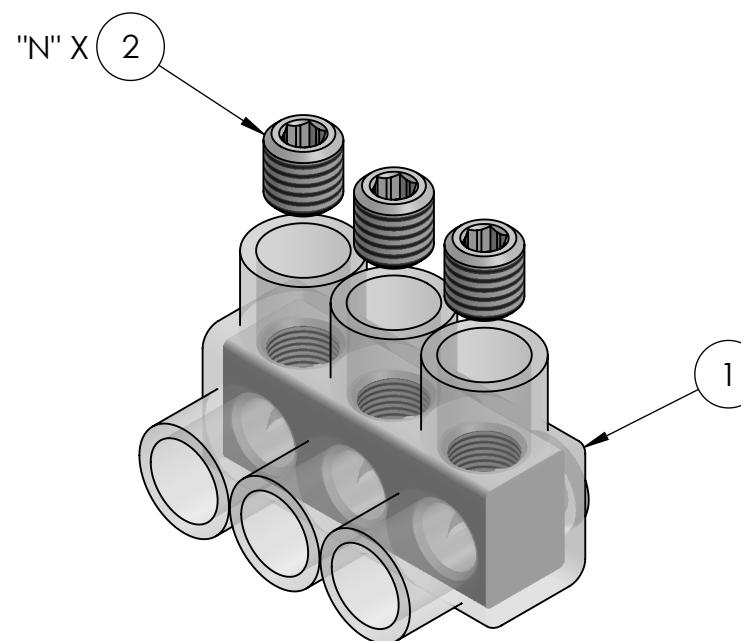
10.  LISTED TO 486A-486B FOR ALUMINUM AND COPPER CONDUCTORS AT 90°C
11. CONNECTORS ARE RATED AND LISTED FOR PARALLEL USE. PLEASE SEE PARALLEL RATING SHEET FOR SPECIFIC INFORMATION

CAT. NO.	L REF.	N	NUMBER OF CONDUCTORS	APPROX. WEIGHT (LB)
IPB-NA250-2S	2.15	2	2	0.242
IPB-NA250-3S	3.15	3	3	0.361
IPB-NA250-4S	4.15	4	4	0.480
IPB-NA250-5S	5.15	5	5	0.599
IPB-NA250-6S	6.15	6	6	0.718
IPB-NA250-8S	8.15	8	8	0.956
IPB-NA250-10S	10.15	10	10	1.194
IPB-NA250-12S	12.15	12	12	1.432
IPB-NA250-14S	14.15	14	14	1.670

- NOTES:
1. APPROX. WEIGHT EXCLUDES ITEMS 3 AND 4
  2. CONDUCTOR PORTS ARE "N" QUANTITY, VIEWS BELOW ARE FOR REFERENCE ONLY




INK STAMPING:  
 PENN-UNION  
 CAT. NO.  
 250 MCM - 10 SOL  
 AL9CU



**RoHS**  
COMPLIANT

CONDUCTOR SIZE AND STRANDING					
CLASS B & C	CLASS G	CLASS H	CLASS I	CLASS K	DIESEL LOCOMOTIVE CABLE (DLO)
250 MCM - 10 SOL.	3/0 (133/.0355) - #10 (49/.0146)	3/0 (259/.0255) - #9 (133/.0099)	3/0 (418/.0201) - #6 (63/.0201)	3/0 (1666/.0100) - #9 (133/.0100)	3/0 (450/.0201) - #10 (27/.0201)

NO.	ECN	DATE
1	11881	12/27/2019

	2N	4	PLASTIC PLUG (NOT SHOWN)
	X	3	CUAL GEL OXIDE INHIBITOR (NOT SHOWN)
	N	2	ALUMINUM SET SCREW
	1	1	INSULATED ALUMINUM BODY
QTY.	PT.	NAME OR DESCRIPTION	
		CLEAR INSULATED POWER BAR for 250 MCM - 10 SOL	
REF. DWG'S: 4304-98197S1		H:\4304\98197S1_C	
		DRAWN BY: QJB DATE: 6/10/2021 CHK'D: CLT	
229 WATERFORD STREET EDINBORO, PA 16412 USA		SCALE: 2:3	INTERPRET PER ASME Y14.5-2009 FILE: 4304
SEE TABLE	CAT. NO.	DWG. NO. <b>IPB-NA250-S</b>	REV. <b>1</b>