
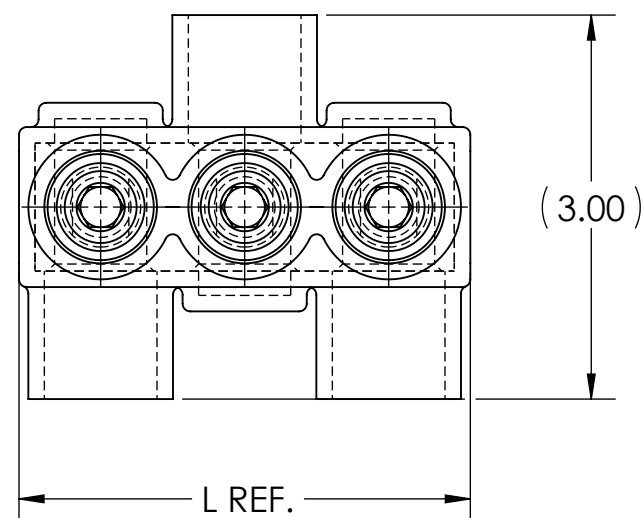



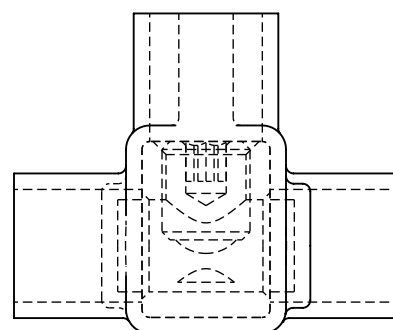
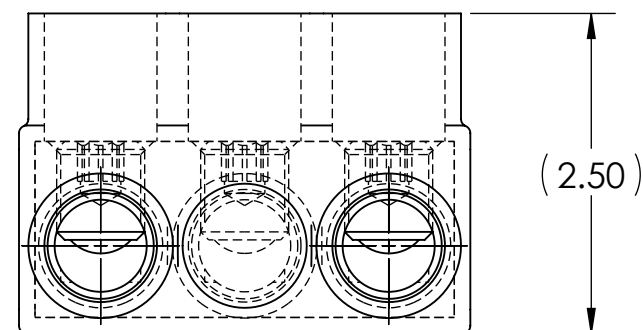
DWG. NO. **IPB-NA350-A** REV. **1**

- NOTES:
1. ALL DIMENSIONS IN INCHES UNLESS OTHERWISE SPECIFIED
  2. CONDUCTOR RANGE: 350 MCM - 10 SOL
  3. SUITABLE FOR USE IN PANEL BOARDS, CABLE TRAYS, RACEWAYS, DUCTS, AND TROUGHS
  4. INSULATION TEMPERATURE RATING: 135°C TO -40°C
  5. PRE-FILLED WITH OXIDE INHIBITOR
  6. SUPPLIED WITH REMOVABLE ACCESS PLUGS
  7. PRE-INSULATED WITH CLEAR HIGH DIELECTRIC STRENGTH PLASTISOL
  8. HEX SIZE: 5/16"
  9. INSTALLATION TORQUE: 275 IN•LB

10.  LISTED TO 486A-486B FOR ALUMINUM AND COPPER CONDUCTORS AT 90°C
11. CONNECTORS ARE RATED AND LISTED FOR PARALLEL USE. PLEASE SEE PARALLEL RATING SHEET FOR SPECIFIC INFORMATION

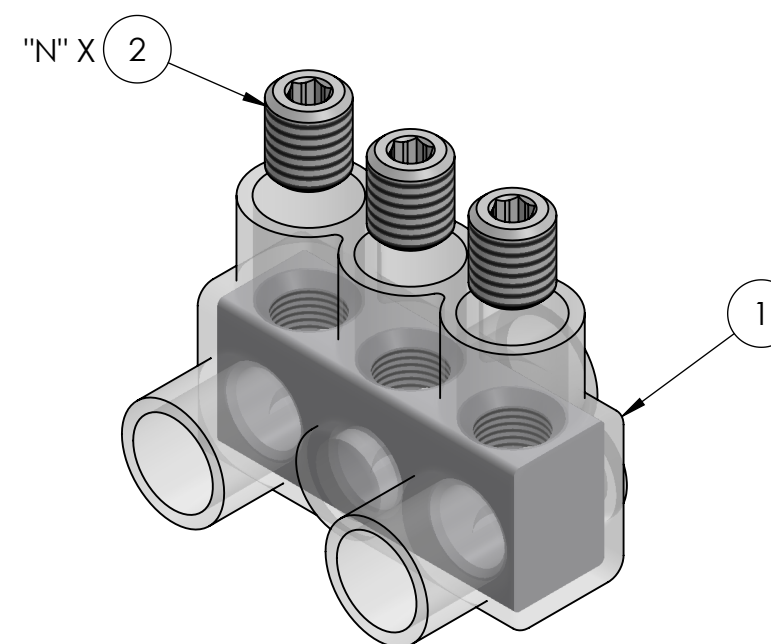


INK STAMPING:  
**PENN-UNION**  
 CAT. NO.  
 350 MCM - 10 SOL  
 AL9CU



CAT. NO.	L REF.	N	NUMBER OF CONDUCTORS	APPROX. WEIGHT (LB)
IPB-NA350-2A	2.40	2	2	0.358
IPB-NA350-3A	3.53	3	3	0.535
IPB-NA350-4A	4.65	4	4	0.710
IPB-NA350-5A	5.78	5	5	0.886
IPB-NA350-6A	6.90	6	6	1.047
IPB-NA350-8A	9.15	8	8	1.414
IPB-NA350-10A	11.40	10	10	1.767
IPB-NA350-12A	13.65	12	12	2.119
IPB-NA350-14A	15.90	14	14	2.471

- NOTES:
1. APPROX. WEIGHT EXCLUDES ITEMS 3 AND 4
  2. CONDUCTOR PORTS ARE "N" QUANTITY, VIEWS BELOW ARE FOR REFERENCE ONLY




**RoHS**  
COMPLIANT

CONDUCTOR SIZE AND STRANDING

CLASS B & C	CLASS G	CLASS H	CLASS I	CLASS K	DIESEL LOCOMOTIVE CABLE (DLO)
350 MCM - 10 SOL.	250 MCM (259/.0311) - #10 (49/.0146)	250 MCM (427/.0242) - #9 (133/.0099)	250 MCM (637/.0201) - #6 (63/.0201)	250 MCM (2499/.0100) - #9 (133/.0100)	4/0 (550/.0201) - #10 (27/.0201)

NO.	ECN	DATE
1	11881	12/27/2019

REVISIONS

	2N	4	PLASTIC PLUG (NOT SHOWN)
	X	3	CUAL-GEL OXIDE INHIBITOR (NOT SHOWN)
	N	2	ALUMINUM SET SCREW
	1	1	INSULATED ALUMINUM BODY
QTY.	PT.	NAME OR DESCRIPTION	
<b>CLEAR INSULATED POWER BAR</b> for 350 MCM - 10 SOL			
REF. DWG'S: 4304-98198S3		H:\4304\98198S3_C	
 <b>PENNUNION</b> 229 WATERFORD STREET EDINBORO, PA 16412 USA		DRAWN BY: QJB	DATE: 6/3/2021
		CHK'D: CLT	FILE: 4304
SCALE: 2:3	INTERPRET PER ASME Y14.5-2009		SIZE: B
DWG. NO. <b>IPB-NA350-A</b>	REV. <b>1</b>		