


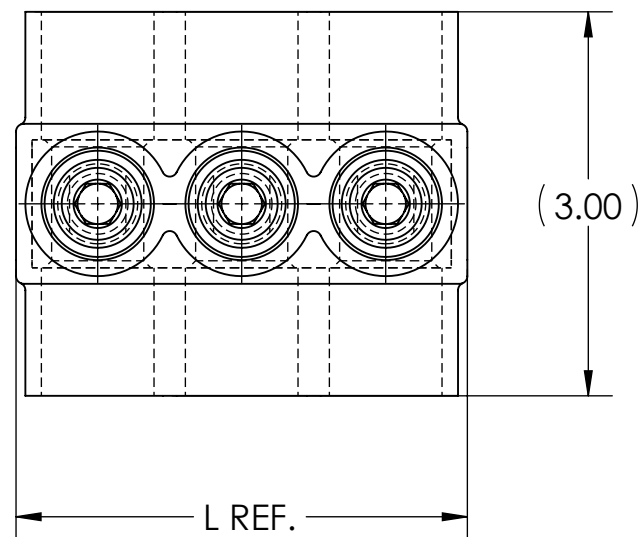
DWG. NO. **IPB-NA350-D** REV. **1**


- NOTES:
1. ALL DIMENSIONS IN INCHES UNLESS OTHERWISE SPECIFIED
  2. CONDUCTOR RANGE: 350 MCM - 10 SOL
  3. SUITABLE FOR USE IN PANEL BOARDS, CABLE TRAYS, RACEWAYS, DUCTS, AND TROUGHS
  4. INSULATION TEMPERATURE RATING: 135°C TO -40°C
  5. PRE-FILLED WITH OXIDE INHIBITOR
  6. SUPPLIED WITH REMOVABLE ACCESS PLUGS
  7. PRE-INSULATED WITH CLEAR HIGH DIELECTRIC STRENGTH PLASTISOL
  8. HEX SIZE: 5/16"
  9. INSTALLATION TORQUE: 275 IN•LB

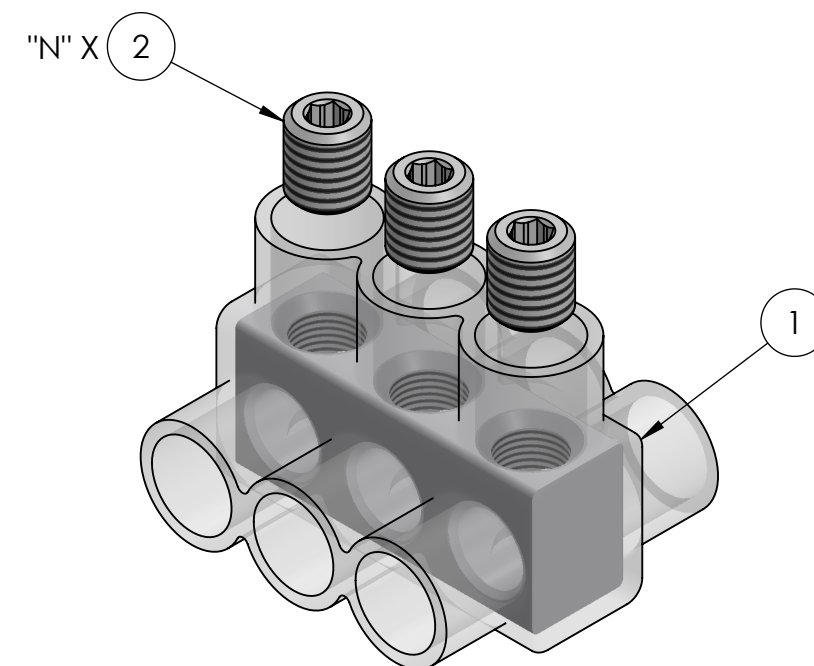
10.  LISTED TO 486A-486B FOR ALUMINUM AND COPPER CONDUCTORS AT 90°C
11. CONNECTORS ARE RATED AND LISTED FOR PARALLEL USE. PLEASE SEE PARALLEL RATING SHEET FOR SPECIFIC INFORMATION

CAT. NO.	L REF.	N	NUMBER OF CONDUCTORS	APPROX. WEIGHT (LB)
IPB-NA350-2D	2.40	2	2	0.375
IPB-NA350-3D	3.53	3	3	0.563
IPB-NA350-4D	4.65	4	4	0.745
IPB-NA350-5D	5.78	5	5	0.930
IPB-NA350-6D	6.90	6	6	1.126
IPB-NA350-8D	9.15	8	8	1.485
IPB-NA350-10D	11.40	10	10	1.855
IPB-NA350-12D	13.65	12	12	2.225
IPB-NA350-14D	15.90	14	14	2.595

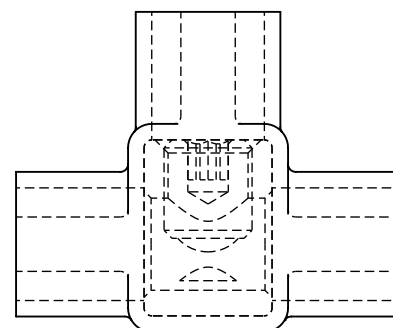
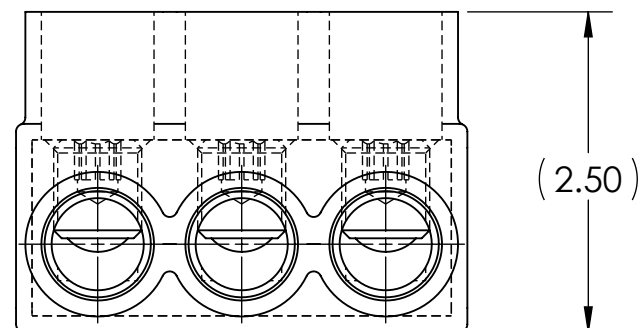
- NOTES:
1. APPROX. WEIGHT EXCLUDES ITEMS 3 AND 4
  2. CONDUCTOR PORTS ARE "N" QUANTITY, VIEWS BELOW ARE FOR REFERENCE ONLY



INK STAMPING:  
**PENN-UNION**  
**CAT. NO.**  
**350 MCM - 10 SOL**  
 **AL9CU**



**RoHS**  
COMPLIANT



**CONDUCTOR SIZE AND STRANDING**

CLASS B & C	CLASS G	CLASS H	CLASS I	CLASS K	DIESEL LOCOMOTIVE CABLE (DLO)
350 MCM - 10 SOL.	250 MCM (259/.0311) - #10 (49/.0146)	250 MCM (427/.0242) - #9 (133/.0099)	250 MCM (637/.0201) - #6 (63/.0201)	250 MCM (2499/.0100) - #9 (133/.0100)	4/0 (550/.0201) - #10 (27/.0201)

NO.	ECN	DATE
1	11881	12/27/2019

REVISIONS

QTY.	PT.	NAME OR DESCRIPTION
	3N	4 PLASTIC PLUG (NOT SHOWN)
	X	3 CUAL-GEL OXIDE INHIBITOR (NOT SHOWN)
	N	2 ALUMINUM SET SCREW
	1	1 INSULATED ALUMINUM BODY

SEE TABLE CAT. NO.

**CLEAR INSULATED POWER BAR**  
for  
350 MCM - 10 SOL

REF. DWG'S: 4304-98198S2 H:\4304\98198S2\_C

**PENN-UNION**  
229 WATERFORD STREET  
EDINBORO, PA 16412 USA

DRAWN BY: QJB DATE: 6/3/2021 CHK'D: CLT  
 SCALE: 2:3 INTERPRET PER ASME Y14.5-2009 FILE: 4304  
 SIZE: B DWG. NO. **IPB-NA350-D** REV. **1**