
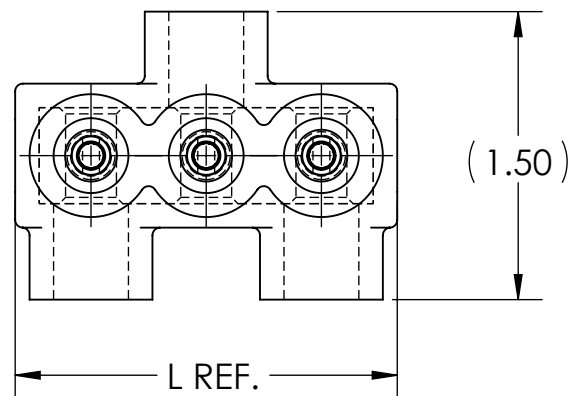


DWG. NO. **IPB-NA4-A** REV. **1**

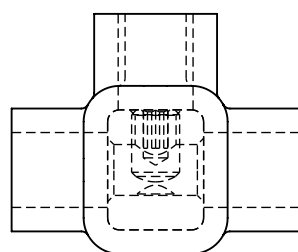
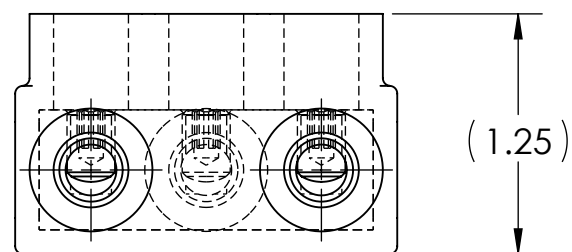
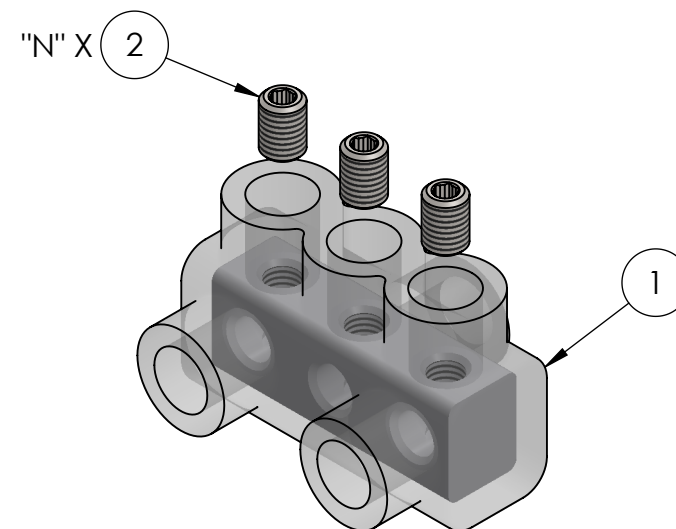
- NOTES:
- ALL DIMENSIONS IN INCHES UNLESS OTHERWISE SPECIFIED
  - CONDUCTOR RANGE: 4 STR - 14 SOL
  - SUITABLE FOR USE IN PANEL BOARDS, CABLE TRAYS, RACEWAYS, DUCTS, AND TROUGHS
  - INSULATION TEMPERATURE RATING: 135°C TO -40°C
  - PRE-FILLED WITH OXIDE INHIBITOR
  - SUPPLIED WITH REMOVABLE ACCESS PLUGS
  - PRE-INSULATED WITH CLEAR HIGH DIELECTRIC STRENGTH PLASTISOL
  - HEX SIZE: 1/8"
  - INSTALLATION TORQUE: 45 IN•LB (10-14 AWG), 50 IN•LB (4-8 AWG)
  -  LISTED TO 486A-486B FOR ALUMINUM AND COPPER CONDUCTORS AT 90°C
  - CONNECTORS ARE RATED AND LISTED FOR PARALLEL USE. PLEASE SEE PARALLEL RATING SHEET FOR SPECIFIC INFORMATION

CAT. NO.	L REF.	N	NUMBER OF CONDUCTORS	APPROX. WEIGHT (LB)
IPB-NA4-2A	1.39	2	2	0.068
IPB-NA4-3A	1.99	3	3	0.100
IPB-NA4-4A	2.59	4	4	0.131
IPB-NA4-5A	3.19	5	5	0.163
IPB-NA4-6A	3.79	6	6	0.195
IPB-NA4-8A	4.99	8	8	0.259
IPB-NA4-10A	6.19	10	10	0.322
IPB-NA4-12A	7.39	12	12	0.386
IPB-NA4-14A	8.59	14	14	0.449

- NOTES:
- APPROX. WEIGHT EXCLUDES ITEMS 3 AND 4
  - CONDUCTOR PORTS ARE "N" QUANTITY, VIEWS BELOW ARE FOR REFERENCE ONLY




INK STAMPING:  
**PENN-UNION**  
 CAT. NO.  
 4 STR - 14 SOL  
 **AL9CU**



**RoHS**  
COMPLIANT

CONDUCTOR SIZE AND STRANDING					
CLASS B & C	CLASS G	CLASS H	CLASS I	CLASS K	DIESEL LOCOMOTIVE CABLE (DLO)
4 STR. - 14 SOL.	#6 (49/.0231) - #14 (49/.0092)	#6 (133/.0140) - #9 (133/.0099)	#6 (63/.0201)	#6 (266/.0100) - #9 (133/.0100)	#6 (61/.0201) - #14 (19/.0142)

NO.	ECN	DATE
1	11881	12/27/2019

	2N	4	PLASTIC PLUG (NOT SHOWN)
	X	3	CUAL GEL OXIDE INHIBITOR (NOT SHOWN)
	N	2	ALUMINUM SET SCREW
	1	1	INSULATED ALUMINUM BODY
QTY.	PT.	NAME OR DESCRIPTION	
		CLEAR INSULATED POWER BAR for 4 STR - 14 SOL	
REF. DWG'S: 4304-98195S3		H:\4304\98195S3_C	
 <b>PENN-UNION</b> 229 WATERFORD STREET EDINBORO, PA 16412 USA		DRAWN BY: QJB	DATE: 6/10/2021
		CHK'D: CLT	FILE: 4304
SIZE: B	SCALE: 1:1	INTERPRET PER ASME Y14.5-2009	
DWG. NO. <b>IPB-NA4-A</b>	REV. <b>1</b>		