
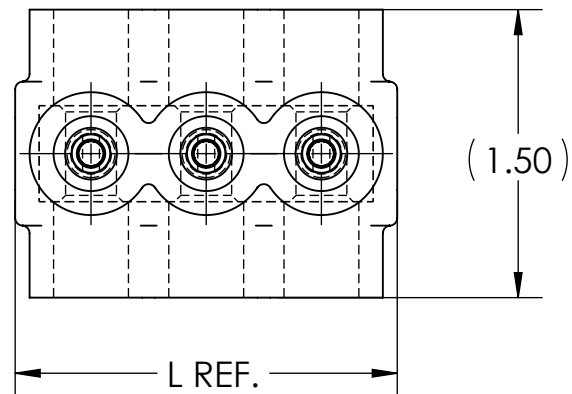


DWG. NO. **IPB-NA4-D** REV. **1**

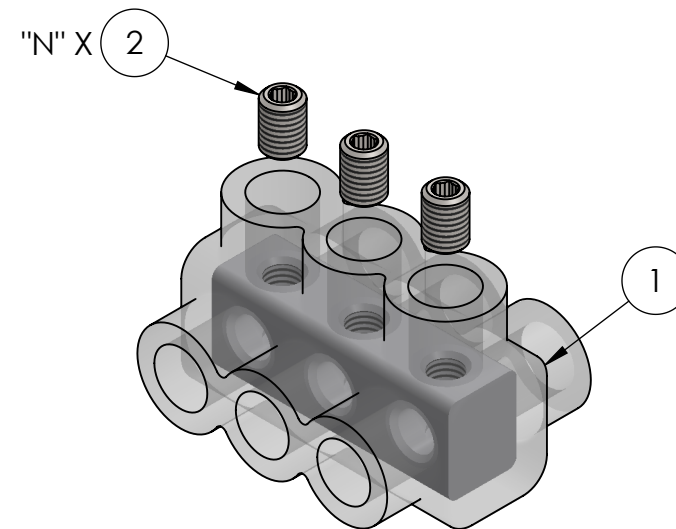
- NOTES:
- ALL DIMENSIONS IN INCHES UNLESS OTHERWISE SPECIFIED
 - CONDUCTOR RANGE: 4 STR - 14 SOL
 - SUITABLE FOR USE IN PANEL BOARDS, CABLE TRAYS, RACEWAYS, DUCTS, AND TROUGHS
 - INSULATION TEMPERATURE RATING: 135°C TO -40°C
 - PRE-FILLED WITH OXIDE INHIBITOR
 - SUPPLIED WITH REMOVABLE ACCESS PLUGS
 - PRE-INSULATED WITH CLEAR HIGH DIELECTRIC STRENGTH PLASTISOL
 - HEX SIZE: 1/8"
 - INSTALLATION TORQUE: 45 IN•LB (10-14 AWG), 50 IN•LB (4-8 AWG)
 -  LISTED TO 486A-486B FOR ALUMINUM AND COPPER CONDUCTORS AT 90°C
 - CONNECTORS ARE RATED AND LISTED FOR PARALLEL USE. PLEASE SEE PARALLEL RATING SHEET FOR SPECIFIC INFORMATION

CAT. NO.	L REF.	N	NUMBER OF CONDUCTORS	APPROX. WEIGHT (LB)
IPB-NA4-2D	1.39	2	2	0.073
IPB-NA4-3D	1.99	3	3	0.107
IPB-NA4-4D	2.59	4	4	0.141
IPB-NA4-5D	3.19	5	5	0.176
IPB-NA4-6D	3.79	6	6	0.210
IPB-NA4-8D	4.99	8	8	0.278
IPB-NA4-10D	6.19	10	10	0.347
IPB-NA4-12D	7.39	12	12	0.415
IPB-NA4-14D	8.59	14	14	0.484

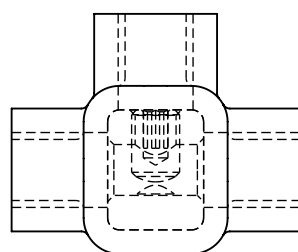
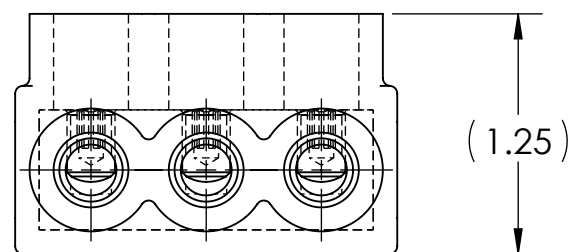
- NOTES:
- APPROX. WEIGHT EXCLUDES ITEMS 3 AND 4
 - CONDUCTOR PORTS ARE "N" QUANTITY, VIEWS BELOW ARE FOR REFERENCE ONLY




INK STAMPING:
PENN-UNION
 CAT. NO.
 4 STR - 14 SOL
 AL9CU



RoHS
COMPLIANT



	3N	4	PLASTIC PLUG (NOT SHOWN)
	X	3	CUAL GEL OXIDE INHIBITOR (NOT SHOWN)
	N	2	ALUMINUM SET SCREW
	1	1	INSULATED ALUMINUM BODY

QTY.	PT.	NAME OR DESCRIPTION
		CLEAR INSULATED POWER BAR for 4 STR - 14 SOL
		REF. DWG'S: 4304-98195S2 H:\4304\98195S2_C
		 DRAWN BY: QJB DATE: 6/10/2021 CHK'D: CLT
		SCALE: 1:1 INTERPRET PER ASME Y14.5-2009 FILE: 4304
		SIZE: B DWG. NO. IPB-NA4-D REV. 1
		229 WATERFORD STREET EDINBORO, PA 16412 USA

CONDUCTOR SIZE AND STRANDING					
CLASS B & C	CLASS G	CLASS H	CLASS I	CLASS K	DIESEL LOCOMOTIVE CABLE (DLO)
4 STR. - 14 SOL.	#6 (49/.0231) - #14 (49/.0092)	#6 (133/.0140) - #9 (133/.0099)	#6 (63/.0201)	#6 (266/.0100) - #9 (133/.0100)	#6 (61/.0201) - #14 (19/.0142)

NO.	ECN	DATE
1	11881	12/27/2019