


DWG. NO. **IPB-NA4-S** REV. **1**

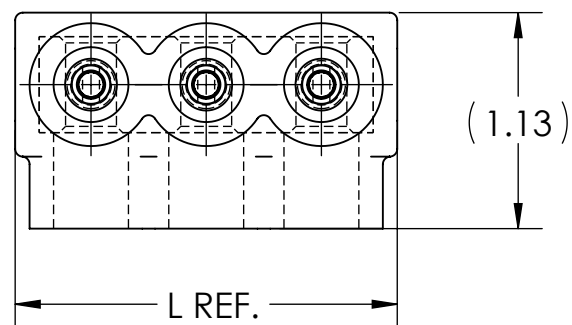
NOTES:

- ALL DIMENSIONS IN INCHES UNLESS OTHERWISE SPECIFIED
- CONDUCTOR RANGE: 4 STR - 14 SOL
- SUITABLE FOR USE IN PANEL BOARDS, CABLE TRAYS, RACEWAYS, DUCTS, AND TROUGHS
- INSULATION TEMPERATURE RATING: 135°C TO -40°C
- PRE-FILLED WITH OXIDE INHIBITOR
- SUPPLIED WITH REMOVABLE ACCESS PLUGS
- PRE-INSULATED WITH CLEAR HIGH DIELECTRIC STRENGTH PLASTISOL
- HEX SIZE: 1/8"
- INSTALLATION TORQUE: 45 IN•LB (10-14 AWG), 50 IN•LB (4-8 AWG)
-  LISTED TO 486A-486B FOR ALUMINUM AND COPPER CONDUCTORS AT 90°C
- CONNECTORS ARE RATED AND LISTED FOR PARALLEL USE. PLEASE SEE PARALLEL RATING SHEET FOR SPECIFIC INFORMATION

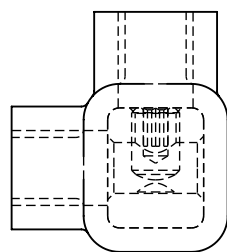
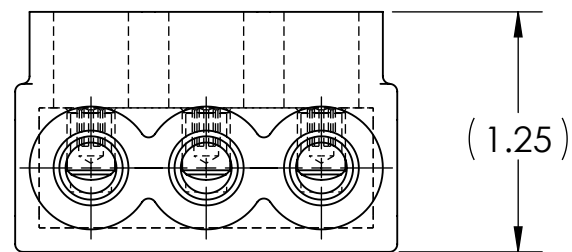
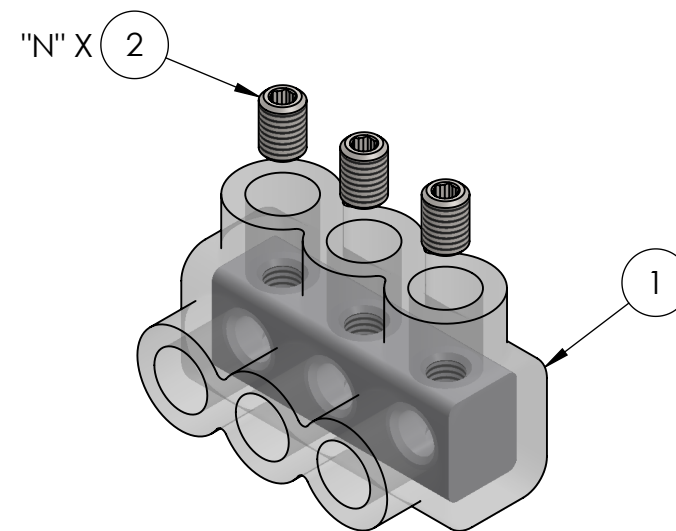
CAT. NO.	L REF.	N	NUMBER OF CONDUCTORS	APPROX. WEIGHT (LB)
IPB-NA4-2S	1.39	2	2	0.068
IPB-NA4-3S	1.99	3	3	0.100
IPB-NA4-4S	2.59	4	4	0.131
IPB-NA4-5S	3.19	5	5	0.163
IPB-NA4-6S	3.79	6	6	0.194
IPB-NA4-8S	4.99	8	8	0.258
IPB-NA4-10S	6.19	10	10	0.321
IPB-NA4-12S	7.39	12	12	0.385
IPB-NA4-14S	8.59	14	14	0.448

NOTES:

- APPROX. WEIGHT EXCLUDES ITEMS 3 AND 4
- CONDUCTOR PORTS ARE "N" QUANTITY, VIEWS BELOW ARE FOR REFERENCE ONLY





INK STAMPING:
PENN-UNION
 CAT. NO.
 4 STR - 14 SOL
 **AL9CU**



RoHS
COMPLIANT

CONDUCTOR SIZE AND STRANDING					
CLASS B & C	CLASS G	CLASS H	CLASS I	CLASS K	DIESEL LOCOMOTIVE CABLE (DLO)
4 STR. - 14 SOL.	#6 (49/.0231) - #14 (49/.0092)	#6 (133/.0140) - #9 (133/.0099)	#6 (63/.0201)	#6 (266/.0100) - #9 (133/.0100)	#6 (61/.0201) - #14 (19/.0142)

NO.	ECN	DATE
1	11881	12/27/2019

2N	4	PLASTIC PLUG (NOT SHOWN)
X	3	CUAL GEL OXIDE INHIBITOR (NOT SHOWN)
N	2	ALUMINUM SET SCREW
1	1	INSULATED ALUMINUM BODY
QTY.	PT.	NAME OR DESCRIPTION
		CLEAR INSULATED POWER BAR for 4 STR - 14 SOL
REF. DWG'S: 4304-98195S1		H:\4304\98195S1_C
		DRAWN BY: QJB DATE: 6/10/2021 CHK'D: CLT
229 WATERFORD STREET EDINBORO, PA 16412 USA		SCALE: 1:1 INTERPRET PER ASME Y14.5-2009 FILE: 4304
SIZE: B	DWG. NO.	REV.
	IPB-NA4-S	1