
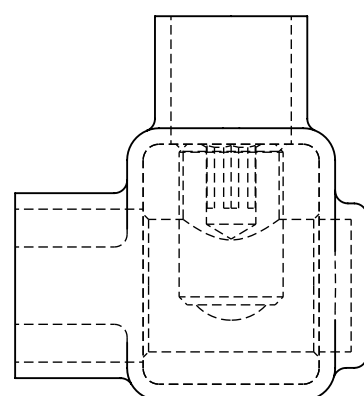
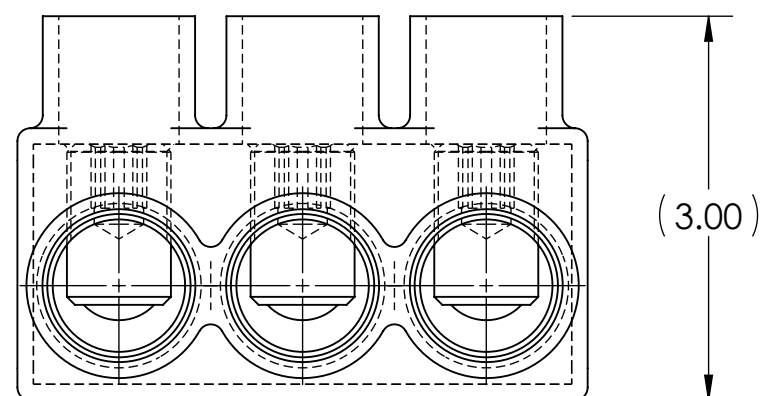
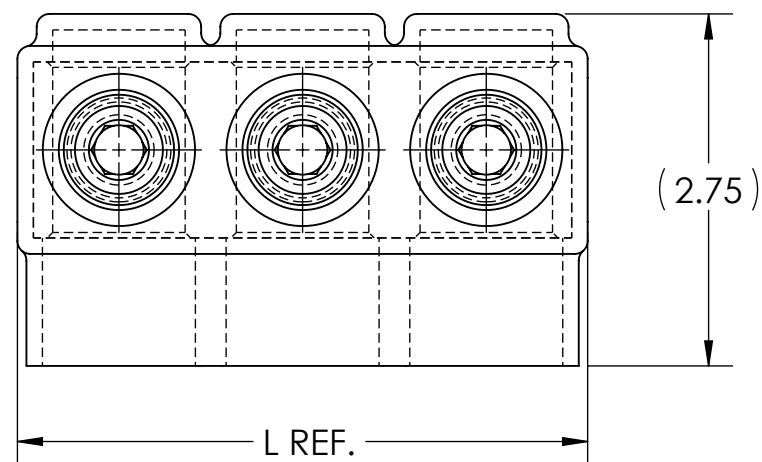



DWG. NO. **IPB-NA750-S** REV. **2**

- NOTES:
1. ALL DIMENSIONS IN INCHES UNLESS OTHERWISE SPECIFIED
  2. CONDUCTOR RANGE: 750 MCM - 2 STR
  3. SUITABLE FOR USE IN PANEL BOARDS, CABLE TRAYS, RACEWAYS, DUCTS, AND TROUGHS
  4. INSULATION TEMPERATURE RATING: 135°C TO -40°C
  5. PRE-FILLED WITH OXIDE INHIBITOR
  6. SUPPLIED WITH REMOVABLE ACCESS PLUGS
  7. PRE-INSULATED WITH CLEAR HIGH DIELECTRIC STRENGTH PLASTISOL
  8. HEX SIZE: 3/8"
  9. INSTALLATION TORQUE: 550 IN•LB

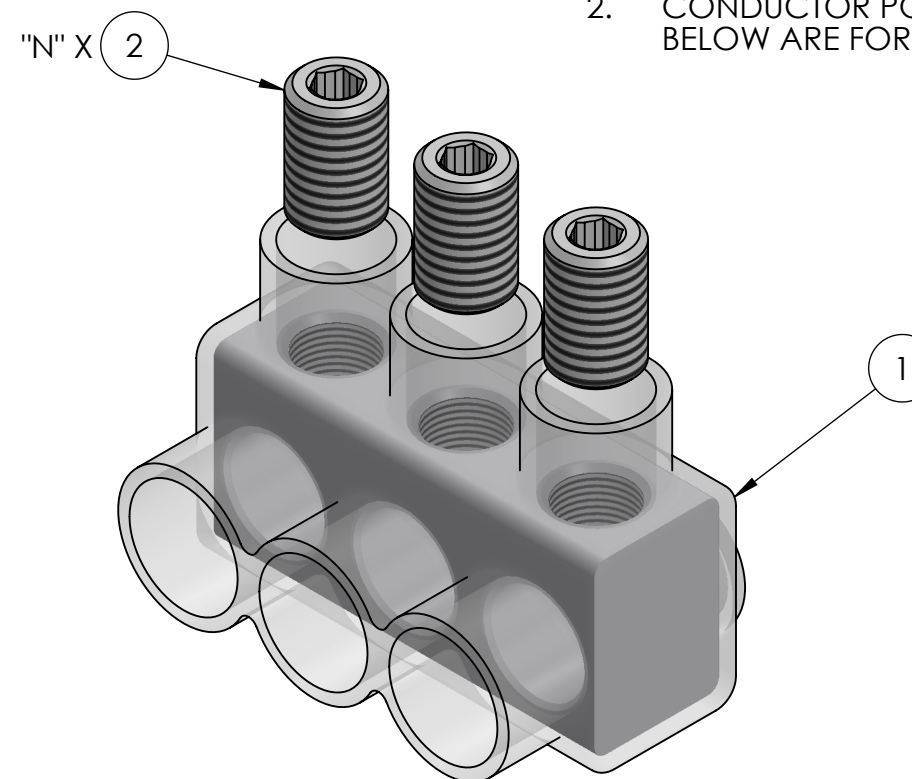
10.  LISTED TO 486A-486B FOR ALUMINUM AND COPPER CONDUCTORS AT 90°C
11. CONNECTORS ARE RATED AND LISTED FOR PARALLEL USE. PLEASE SEE PARALLEL RATING SHEET FOR SPECIFIC INFORMATION



INK STAMPING:  
**PENN-UNION**  
**CAT. NO.**  
**750 MCM - 2 STR**  
 **AL9CU**

CAT. NO.	L REF.	N	NUMBER OF CONDUCTORS	APPROX. WEIGHT (LB)
IPB-NA750-2S	3.02	2	2	0.724
IPB-NA750-3S	4.46	3	3	1.087
IPB-NA750-4S	5.89	4	4	1.442
IPB-NA750-5S	7.33	5	5	1.801
IPB-NA750-6S	8.76	6	6	2.160
IPB-NA750-8S	11.63	8	8	2.877
IPB-NA750-10S	14.50	10	10	3.595
IPB-NA750-12S	17.37	12	12	4.313
IPB-NA750-14S	20.24	14	14	5.030

- NOTES:
1. APPROX. WEIGHT EXCLUDES ITEMS 3 AND 4
  2. CONDUCTOR PORTS ARE "N" QUANTITY, VIEWS BELOW ARE FOR REFERENCE ONLY



**RoHS**  
COMPLIANT

CONDUCTOR SIZE AND STRANDING

CLASS B & C	CLASS G	CLASS H	CLASS I	CLASS K	DIESEL LOCOMOTIVE CABLE (DLO)
750 MCM - 2 STR.	500 MCM (259/.0439) - #2 (49/.0368)	500 MCM (427/.0342) - #2 (259/.0160)	500 MCM (1225/.0201) - #2 (161/.0201)	500 MCM (5054/.0100) - #2 (665/.0100)	535 MCM (1325/.0201) - #2 (150/.0201)

NO.	ECN	DATE
2	12086	6/1/2021
1	11881	12/27/2019

QTY.	PT.	NAME OR DESCRIPTION
	2N	4 PLASTIC PLUG (NOT SHOWN)
	X	3 CUAL-GEL OXIDE INHIBITOR (NOT SHOWN)
	N	2 ALUMINUM SET SCREW
	1	1 INSULATED ALUMINUM BODY
<b>CLEAR INSULATED POWER BAR</b> for 750 MCM - 2 STR		
REF. DWG'S: 4304-97706S1		H:\4304\97706S1_C
 229 WATERFORD STREET EDINBORO, PA 16412 USA		DRAWN BY: QJB DATE: 6/11/2021 CHK'D: CLT
		SCALE: 2:3 INTERPRET PER ASME Y14.5-2009 FILE: 4304
SEE TABLE	CAT. NO.	SIZE: B DWG. NO. <b>IPB-NA750-S</b> REV. <b>2</b>