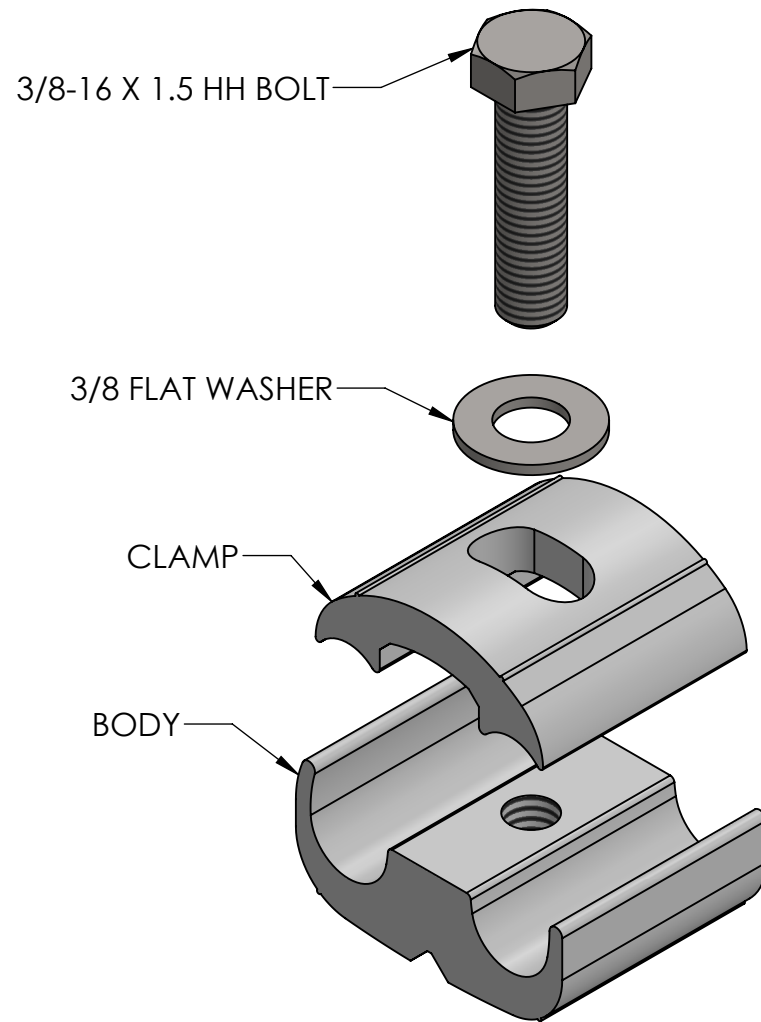


DWG. NO.

PCAA-17

REV.

-

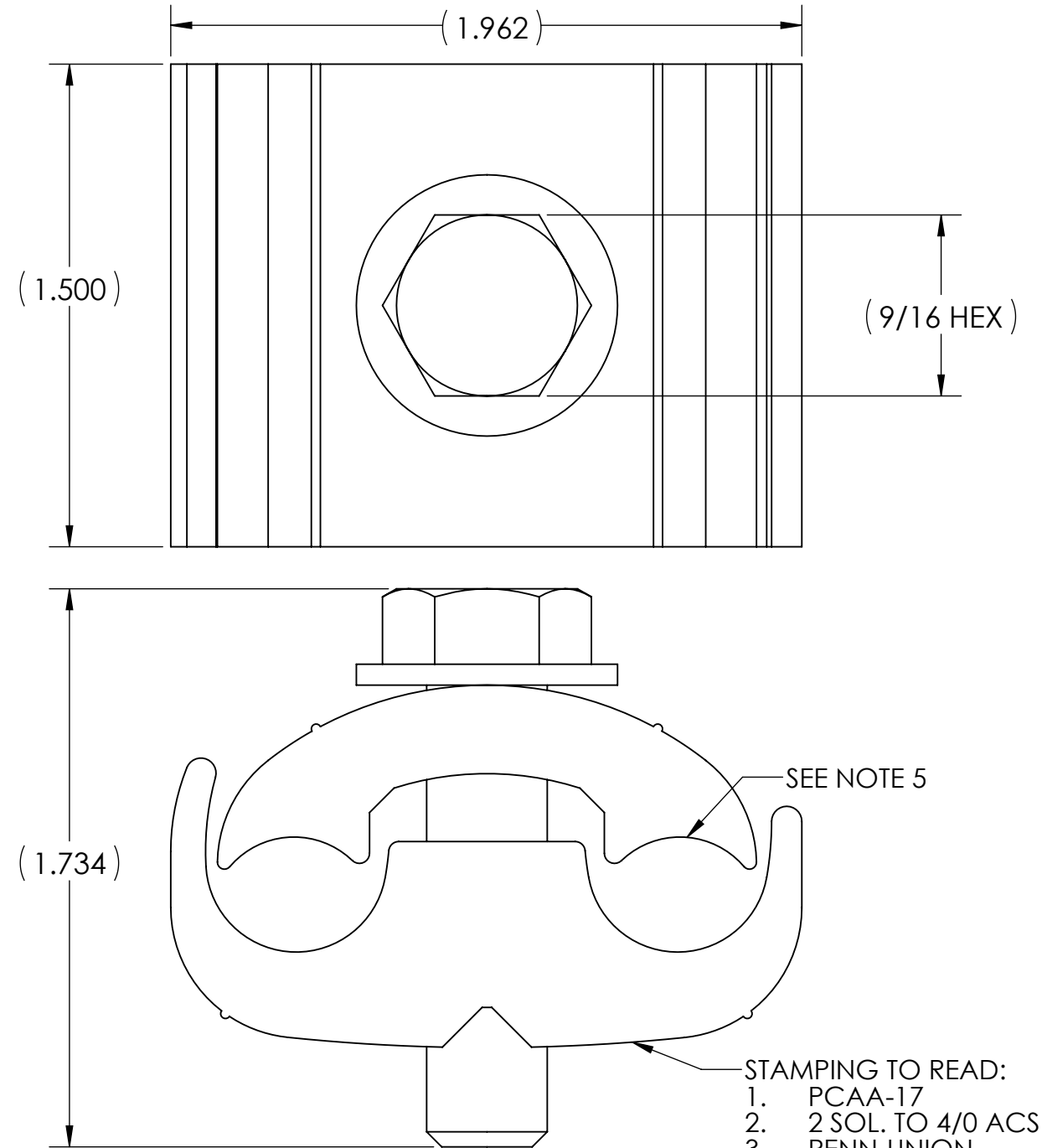


SCALE 1 : 1

CONDUCTOR RANGE		INSTALLATION TORQUE
MAIN	TAP	
2 SOL.-4/0 STR. 4-4/0 ACSR 6-4 STR. AR	2 SOL.-4/0 STR. 4-4/0 ACSR 6-4 STR. AR	240 IN•LB

NOTE:

- MANUFACTURED FROM HIGH STRENGTH ALUMINUM EXTRUDED ALLOY
- FOR ALUMINUM, COPPER, ACSR, AND AR CONDUCTORS
 - ALL ALUMINUM CABLE RATING WITH PREFORMED ARMOR RODS
- DESIGNED FOR TAP AND PARALLEL CONNECTIONS
- ASSEMBLED WITH HIGH STRENGTH STAINLESS STEEL BOLTS AND FLAT WASHERS
- ALL CONDUCTOR CONTACT SURFACES HAVE SERRATED GROVES TO PROVIDE INCREASED CONDUCTOR CONTACT AND IMPROVE MECHANICAL PERFORMANCE
- FOR ALUMINUM TO COPPER APPLICATIONS, IT IS RECOMMENDED TO INSTALL THE ALUMINUM CONDUCTOR ABOVE THE COPPER CONDUCTOR TO MINIMIZE CORROSION
- FOR FACTORY APPLIED OXIDE INHIBITOR, SUFFIX CATALOG NUMBER WITH "-BF"
- FOR TIN PLATING ON BODY AND CLAMP, SUFFIX CATALOG NUMBER WITH "-TN"
- CONFORMS TO ANSI C119.4, CLASS AA CURRENT, CLASS 3 TENSION WHEN PROPERLY INSTALLED
- ALL DIMENSIONS IN INCHES UNLESS OTHERWISE SPECIFIED
- APPROX. WEIGHT: 0.258 LB



QTY.	PT.	NAME OR DESCRIPTION
		ALUM. PARALLEL CLAMP ASS'Y
REF. DWG'S: 5E16-97151		H:\H:\5E16\97151_C
DRAWN BY: QJB		DATE: 2/15/2023
SCALE: 2:1		INTERPRET PER ASME Y14.5-2009
SIZE: B		FILE: 5E16
DWG. NO. PCAA-17		REV. -
PENNUNION 229 WATERFORD STREET EDINBORO, PA 16412 USA		

NO.	ECN	DATE
REVISIONS		