
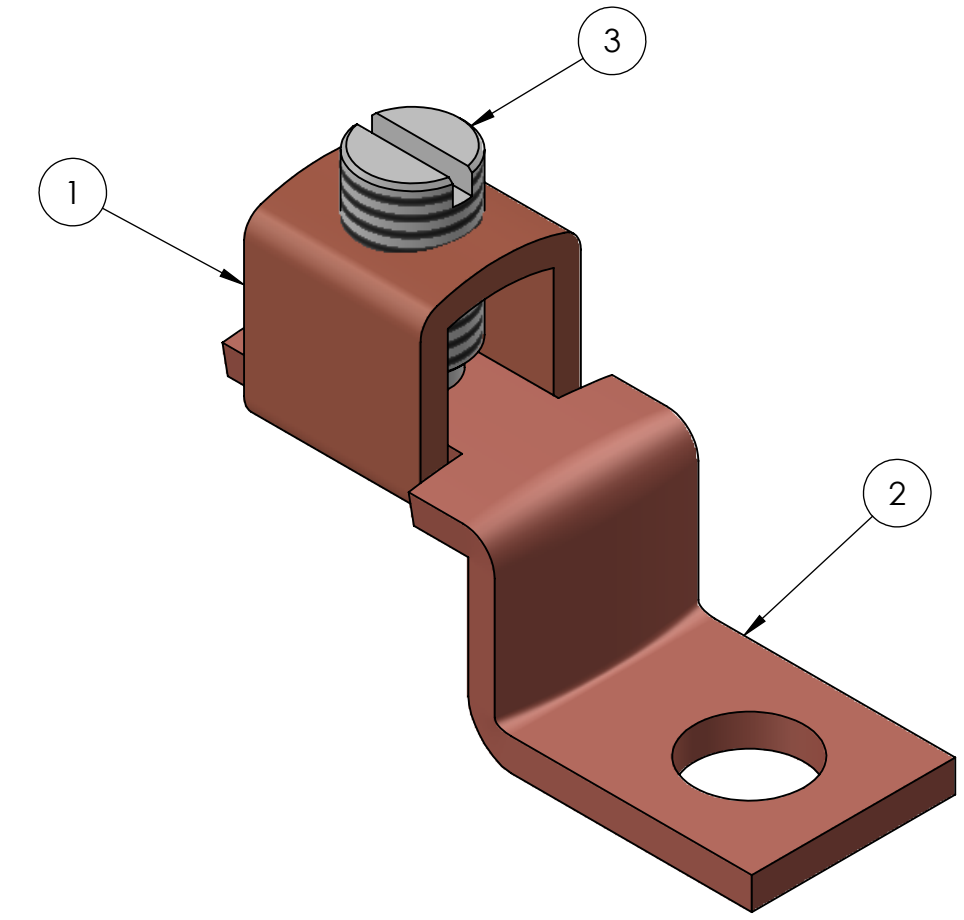
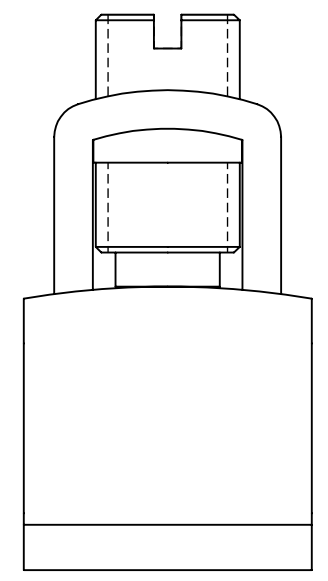
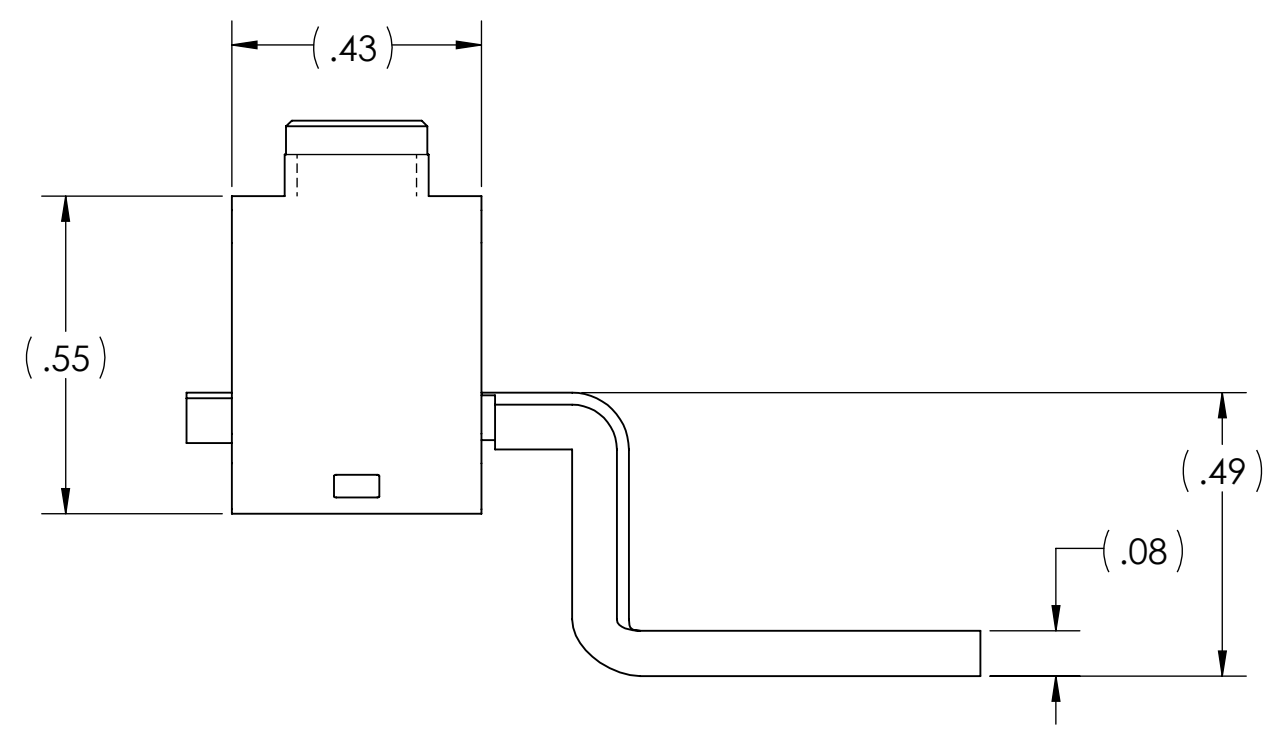
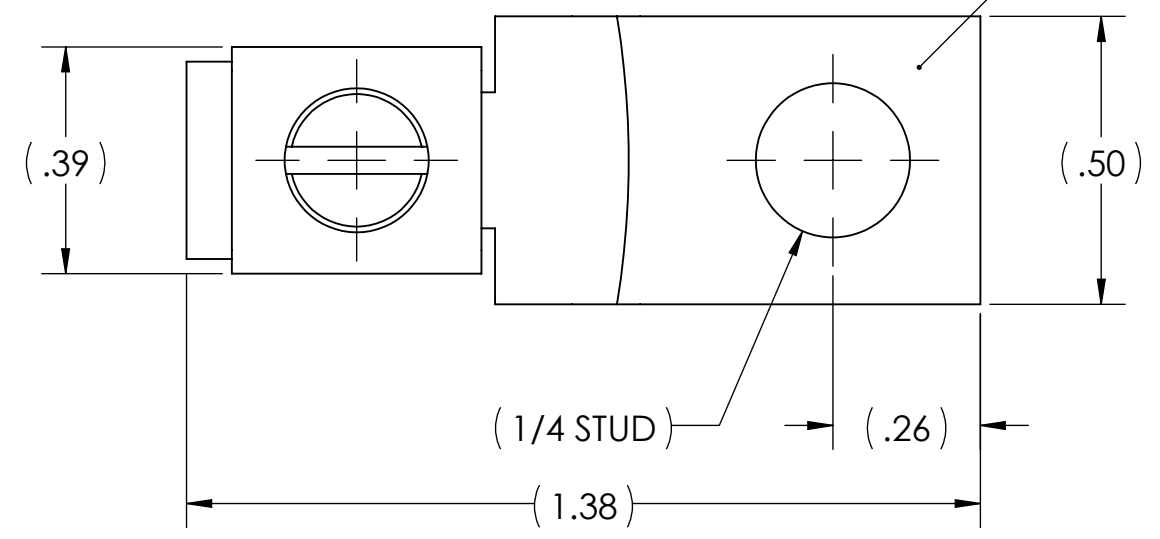


CONDUCTOR RANGE	INSTALLATION TORQUE (IN•LB)
14-10 AWG	20
8 AWG	25
6-4 AWG	35

METAL STAMPING TO READ:

1. PUC
2. SAU-70
3. 4-14
4. CU
5. 



- NOTES:
1. FOR TIN PLATING, SUFFIX CATALOG NUMBER WITH "-TN"
 2. ALL DIMENSIONS IN INCHES UNLESS OTHERWISE SPECIFIED
 3. cULus LISTED PER UL486A-B FOR POWER APPLICATIONS UP TO 90°C
 4. cULus LISTED PER UL467 FOR GROUNDING, BONDING, AND DIRECT BURIAL
 5. APPROX. WEIGHT: 0.035 LB



NO.	ECN	DATE
5	12235	2/22/2023
4	12152	10/29/2021
3	11860	7/2/2019
2	11745	4/4/2018
1	11705	8/24/2017

QTY.	PT.	NAME OR DESCRIPTION
1	3	SET SCREW, STEEL, BLUE ZINC PLATED
1	2	LUG TONGUE, COPPER
1	1	LUG BODY, COPPER

COPPER MECHANICAL LUG	
for 4 STR.-14 SOL. COPPER CONDUCTORS	
REF. DWG'S: 5506-55833	H:\5506\SAU70
DRAWN BY: CLT	DATE: 7/19/2023
SCALE: 3:1	CHK'D: QJB
SIZE: B	INTERPRET PER ASME Y14.5-2009
DWG. NO. SAU-70	FILE: 5506
	REV. 5