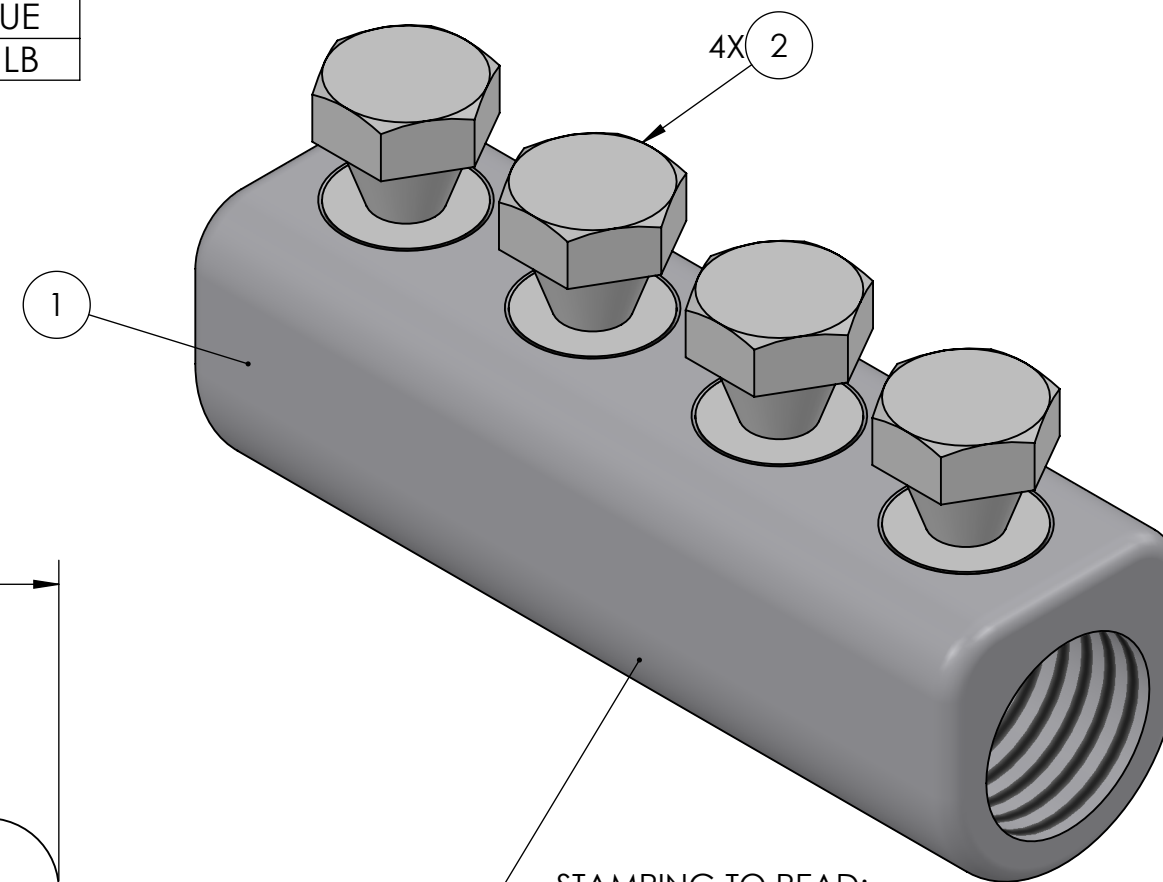
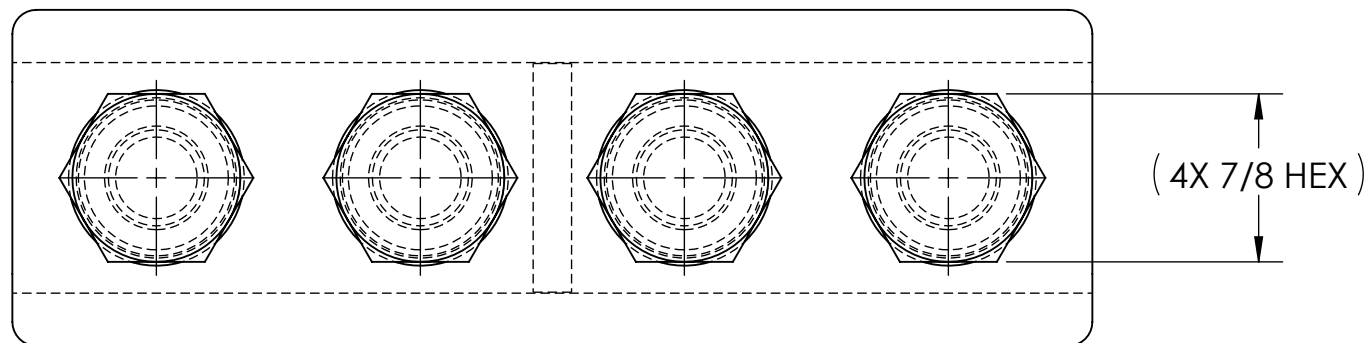


DWG. NO.

SBC-1000-A

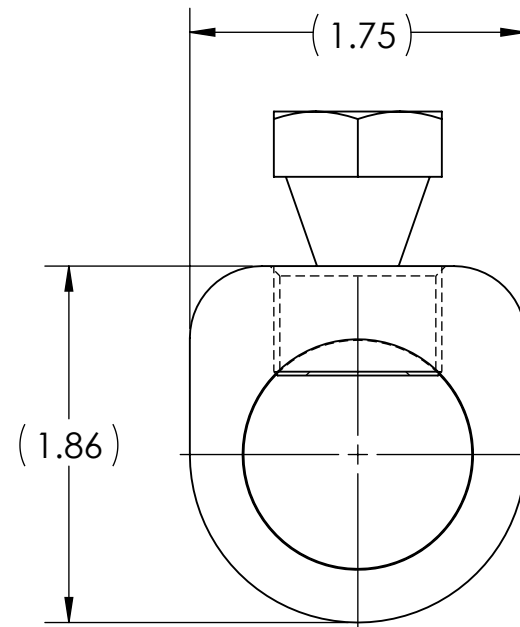
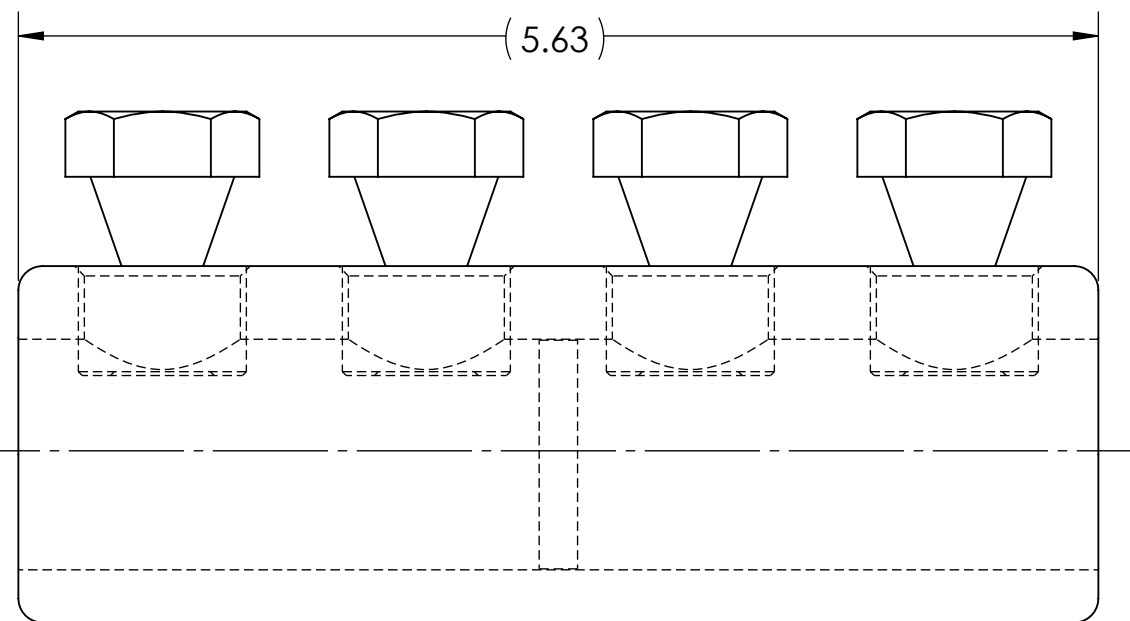
REV. 1

CONDUCTOR STRIP LENGTH	ESTIMATED BREAK OFF TORQUE
2.75	50 FT•LB



STAMPING TO READ:
 1. PENN-UNION
 2. SBC-1000-A
 3. AL9CU
 4. 1000 MCM
 5.

RoHS
COMPLIANT



NOTES:

1. ALL DIMENSIONS IN INCHES UNLESS OTHERWISE SPECIFIED
2. BODY AND SCREWS MADE FROM HIGH STRENGTH ALUMINUM
3. TIN PLATED TO INHIBIT CORROSION
4. RATED FOR COPPER AND ALUMINUM CLASS B & C CONDUCTORS
5. SOLID CENTER BARRIER TO ENSURE PROPER INSERTION OF CONDUCTORS TO FULL DEPTH AND TO PROVIDE A TIGHT SEAL
6. WIRE BARRELS ARE PREFILLED WITH OXIDE INHIBITING COMPOUND AND CAPPED
7. SUITABLE FOR VOLTAGES UP TO 35 KV IF TAPED ACCORDING TO ACCEPTABLE PRACTICES, 5 KV IS THE MAXIMUM VOLTAGE LEVEL IN ALL BARE SPLICE APPLICATIONS
8. LISTED PER UL 486A-B FOR POWER APPLICATIONS UP TO 90°C
9. COMPLIANT TO ANSI C119.4, CLASS A CURRENT, CLASS 3 (MINIMUM) TENSION
10. CONNECTORS ARE PACKAGED INDIVIDUALLY WITH INSTRUCTION SHEET IN SEALED POLY BAG
11. APPROX. WEIGHT (CAPS, BAGS, INHIBITOR EXCLUDED): 1.150 LB.

1	12254	8/8/2023
NO.	ECN	DATE
REVISIONS		

	2	4	PLASTIC CAPS (NOT SHOWN)
	X	3	CUAL-AID #11C (NOT SHOWN)
	4	2	SHEAR BOLT
	1	1	SPLICE BODY
QTY.	PT.	NAME OR DESCRIPTION	
		ALUMINUM SHEAR BOLT SPLICE for 1000 MCM	
		REF. DWG'S: 4J29-56206	H:\4J29\56206_C
		DRAWN BY: QJB	DATE: 3/15/2023
		SCALE: 1:1	INTERPRET PER ASME Y14.5-2009
		SIZE: B	FILE: 4J29
		DWG. NO. SBC-1000-A	REV. 1