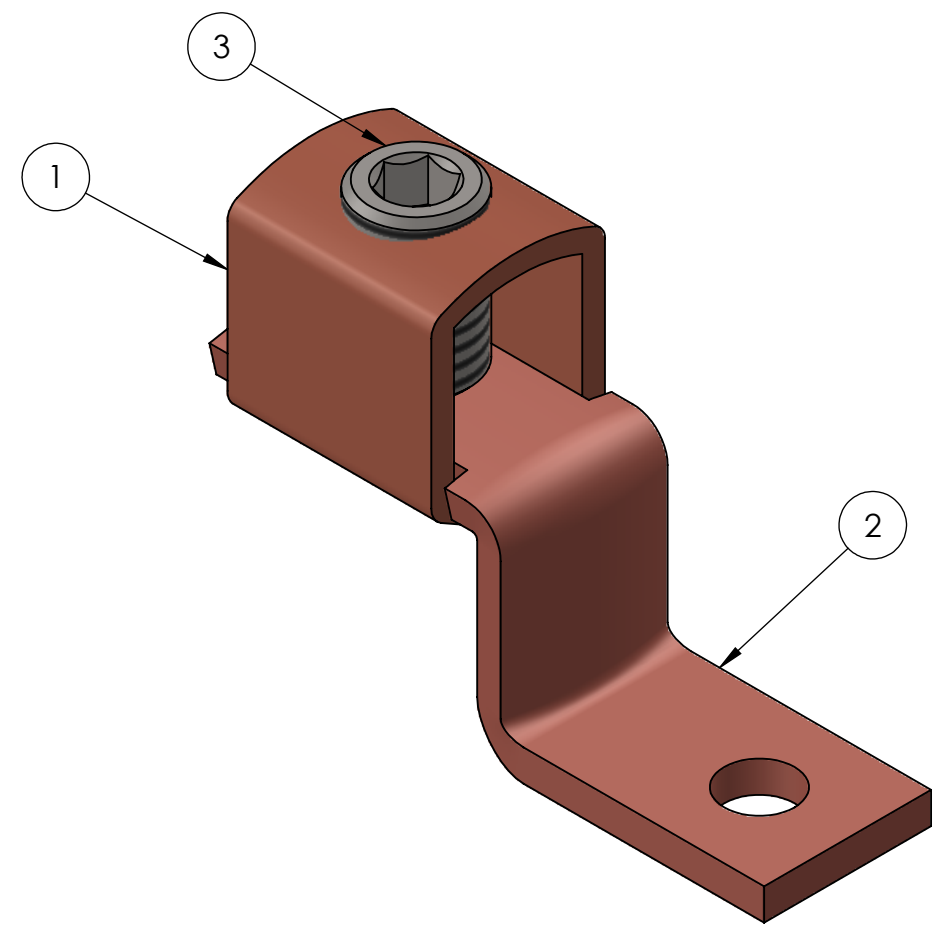
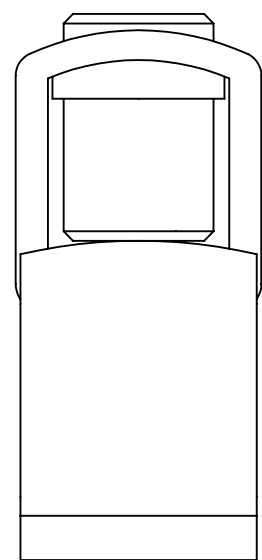
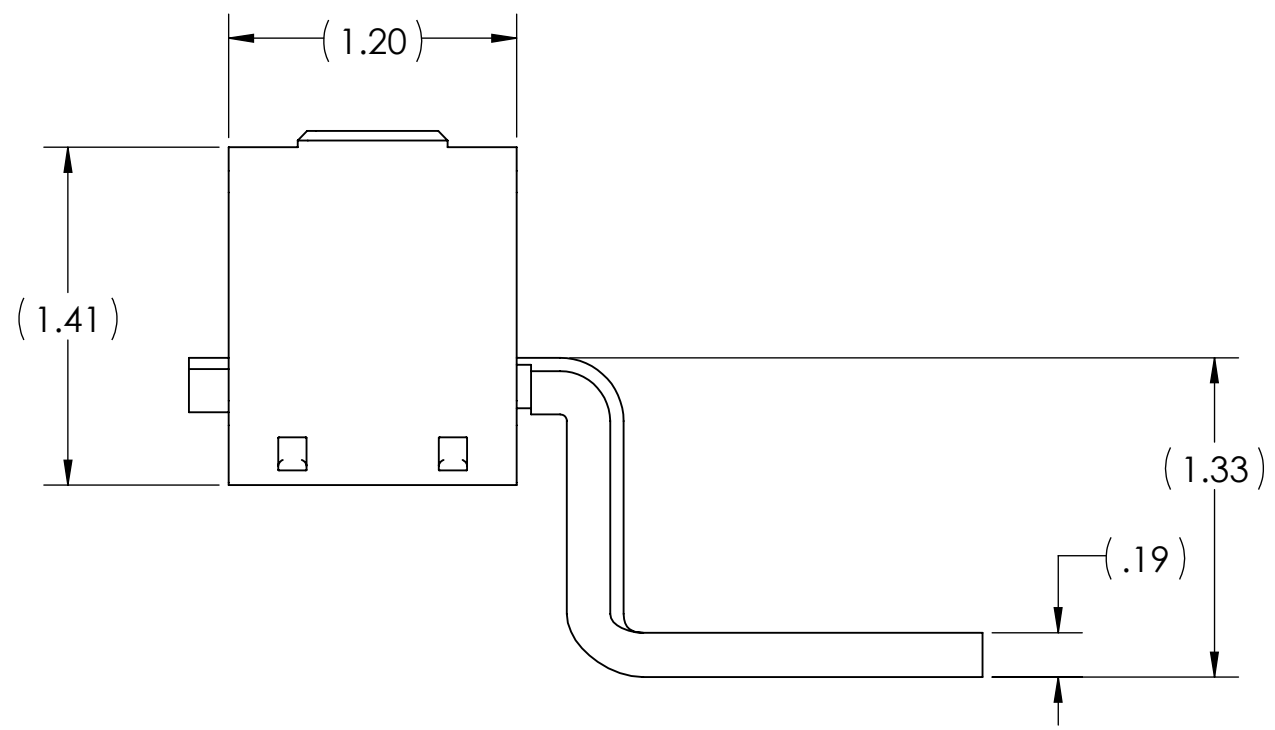


METAL STAMPING TO READ:
 1. PUC
 2. SLU-300
 3. 350-1/0
 4. CU
 5.



NOTES:

1. FOR TIN PLATING, SUFFIX CATALOG NUMBER WITH "-TN"
2. ALL DIMENSIONS IN INCHES UNLESS OTHERWISE SPECIFIED
3. cULus LISTED PER UL486A-B FOR POWER APPLICATIONS UP TO 90°C
4. cULus LISTED PER UL467 FOR GROUNDING, BONDING, AND DIRECT BURIAL
5. INSTALLATION TORQUE: 275 IN•LB
6. HEX SIZE: 5/16
7. APPROX. WEIGHT: 0.468 LB



| NO. | ECN | DATE |
|-----|-------|------------|
| 5 | 12235 | 2/22/2023 |
| 4 | 12152 | 10/29/2021 |
| 3 | 11860 | 7/2/2019 |
| 2 | 11745 | 4/4/2018 |
| 1 | 11705 | 8/24/2017 |

| QTY. | PT. | NAME OR DESCRIPTION |
|--|----------|---|
| 1 | 3 | SET SCREW, STEEL, BLUE ZINC PLATED |
| 1 | 2 | LUG TONGUE, COPPER |
| 1 | 1 | LUG BODY, COPPER |
| COPPER MECHANICAL LUG | | |
| for 350 MCM-1/0 STR. COPPER CONDUCTORS | | |
| REF. DWG'S: 5506-55833 | | H:\5506\SLU300 |
| | | DRAWN BY: CLT DATE: 7/19/2023 CHK'D: QJB |
| 229 WATERFORD STREET EDINBORO, PA 16412 USA | | SCALE: 5:4 INTERPRET PER ASME Y14.5-2009 FILE: 5506 |
| DWG. NO. | REV. | |
| SLU-300 | 5 | |