
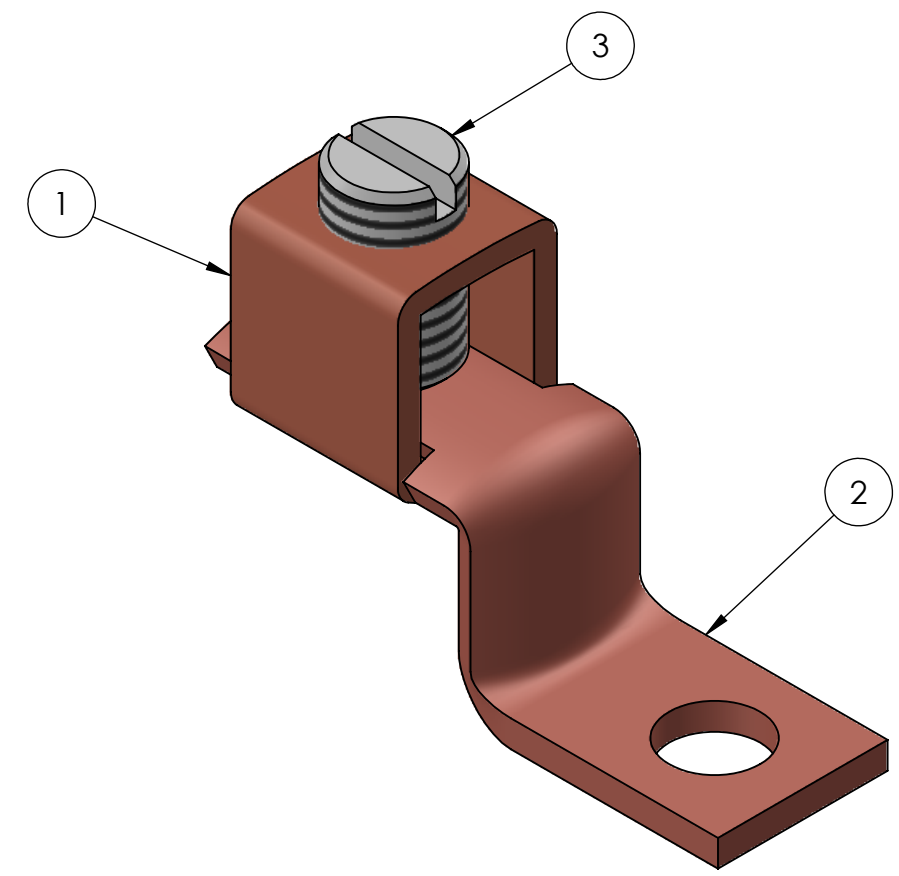
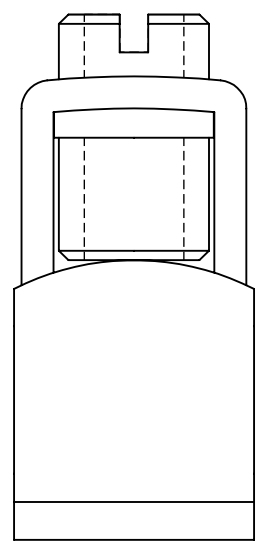
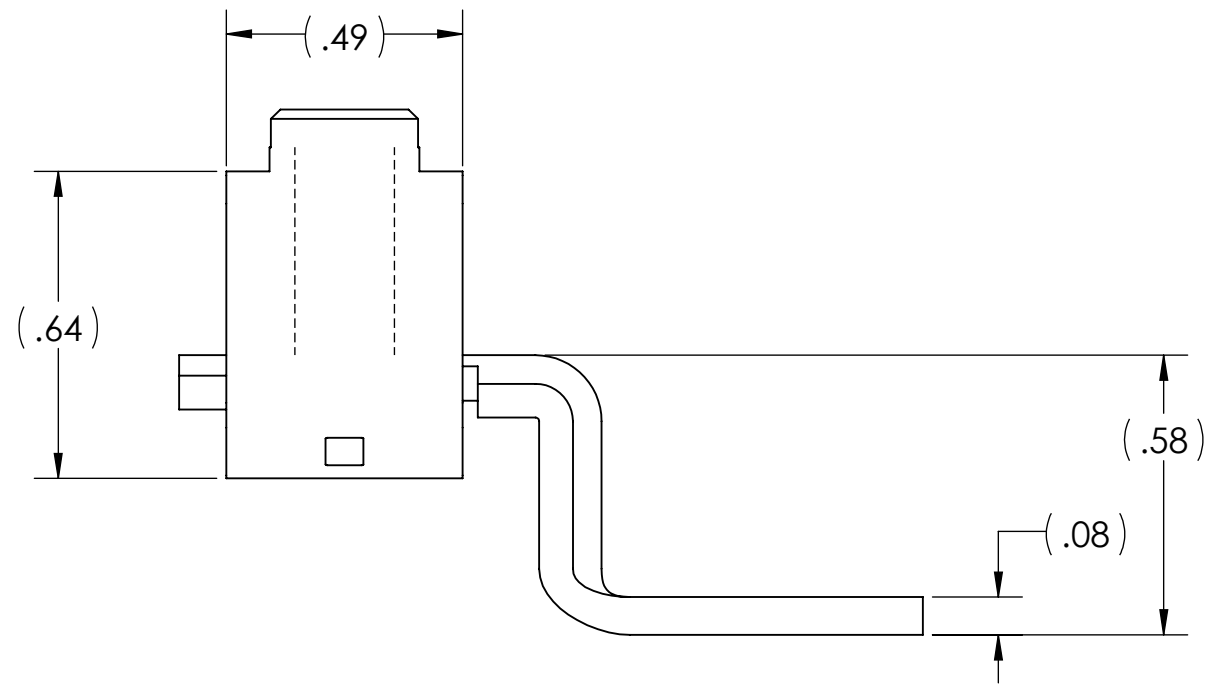
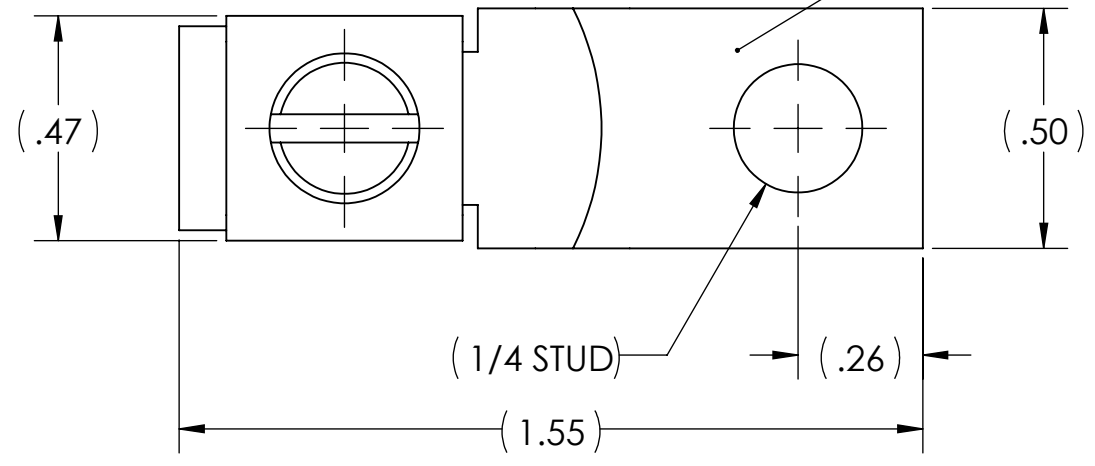


CONDUCTOR RANGE	INSTALLATION TORQUE (IN•LB)
8 AWG	40
6-4 AWG	45
3-2 AWG	50


- METAL STAMPING TO READ:
1. PUC
 2. SLU-70
 3. 2-8
 4. CU
 5. 



- NOTES:
1. FOR TIN PLATING, SUFFIX CATALOG NUMBER WITH "-TN"
 2. ALL DIMENSIONS IN INCHES UNLESS OTHERWISE SPECIFIED
 3. cULus LISTED PER UL486A-B FOR POWER APPLICATIONS UP TO 90°C
 4. cULus LISTED PER UL467 FOR GROUNDING, BONDING, AND DIRECT BURIAL
 5. APPROX. WEIGHT: 0.048 LB



NO.	ECN	DATE
5	12235	2/22/2023
4	12152	10/29/2021
3	11860	7/2/2019
2	11745	4/4/2018
1	11705	8/24/2017

QTY.	PT.	NAME OR DESCRIPTION
1	3	SET SCREW, STEEL, BLUE ZINC PLATED
1	2	LUG TONGUE, COPPER
1	1	LUG BODY, COPPER
COPPER MECHANICAL LUG		
for 2 STR.-8 SOL. COPPER CONDUCTORS		
REF. DWG'S: 5506-55833		H:\5506\SLU70
		DRAWN BY: CLT DATE: 7/19/2023 CHK'D: QJB
229 WATERFORD STREET EDINBORO, PA 16412 USA		SCALE: 5:2 INTERPRET PER ASME Y14.5-2009 FILE: 5506
DWG. NO.	SLU-70	REV. 5